

Impulse™ Juice

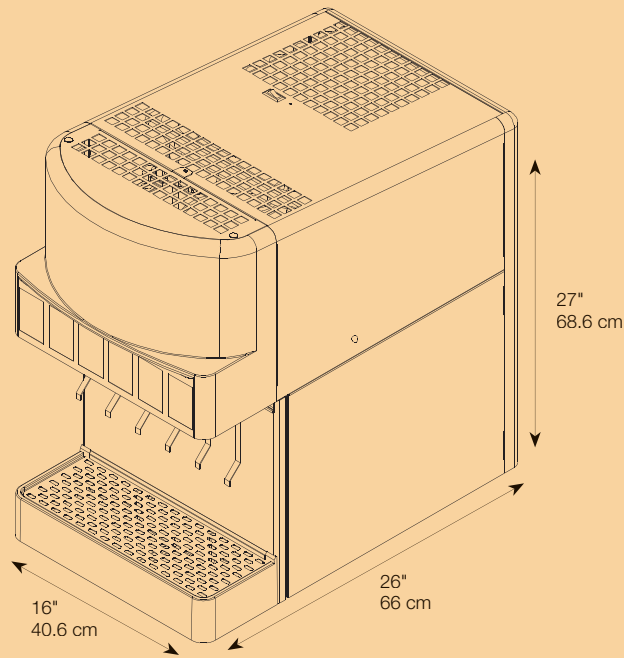
Post-Mix Non-Carbonated Beverage Dispenser

- Accepts a variety of merchandising messages
- Designed for performance, reliability, and ease of service



©2006 IMI Cornelius, Inc.
CV8680-1006

NON-CARBONATED



PART NUMBER	DESCRIPTION
851000320	Impulse™ 1 6 Flavor UFJ Lever Activated, 115V / 60Hz
851000359	Impulse™ 1 6 Flavor UFJ Portion Control, 115V / 60Hz
851000366	Impulse™ 1 6 Flavor UFJ Push Button, 115V / 60Hz

TECHNICAL SPECIFICATIONS:

TYPE OF VALVES UFJ 3 oz (88.8 mL) / sec
Post-Mix Lever

NUMBER OF VALVES 6

REFRIGERANT R-134a

ELECTRICAL REQUIREMENTS . . 120 V / 60 Hz

CUP CLEARANCE 10.25" (26 cm)

COMPRESSOR 1/3 HP

WATER BATH SIZE 17 gal (64.4 L)

ICE BANK SIZE 30 lb (13.6 kg)

CONTINUOUS
DRINK CAPACITY 2.5 12 oz (355 mL)
drinks/min @ 75°F (24°C)
ambient

PEAK DRINK CAPACITY 217 12oz (355 mL)
drinks/min @ 75°F (24°C)
ambient

SHIPPING WEIGHT: 124 lb (56 kg)

AGENCY LISTINGS   

